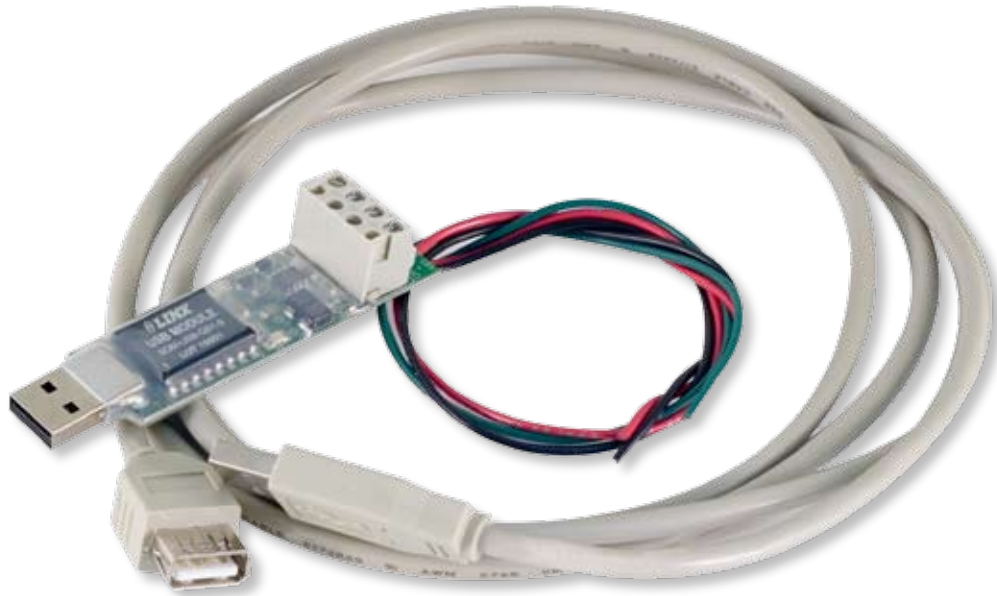


USB-SER

Communication Adaptor



Features

- Converts RS-232 to USB communication
- Converts RS-485 to USB communication
- Powered through computer's USB port
- USB 1.1 or 2.0 compatible
- Includes 6' (1.8m) USB extension cable for added convenience
- Drivers supplied for Windows 2000/XP Pro
- Has clear plastic sleeve for electrical isolation and viewing of board mounted TX & RX LEDs
- Ideal for single ACU communication
- Convenient for laptop programming/control or where a COM port is unavailable
- Allows for convenient CAT5 wiring on RS-485 communication loop (Requires a CB-485 at each ACU.)

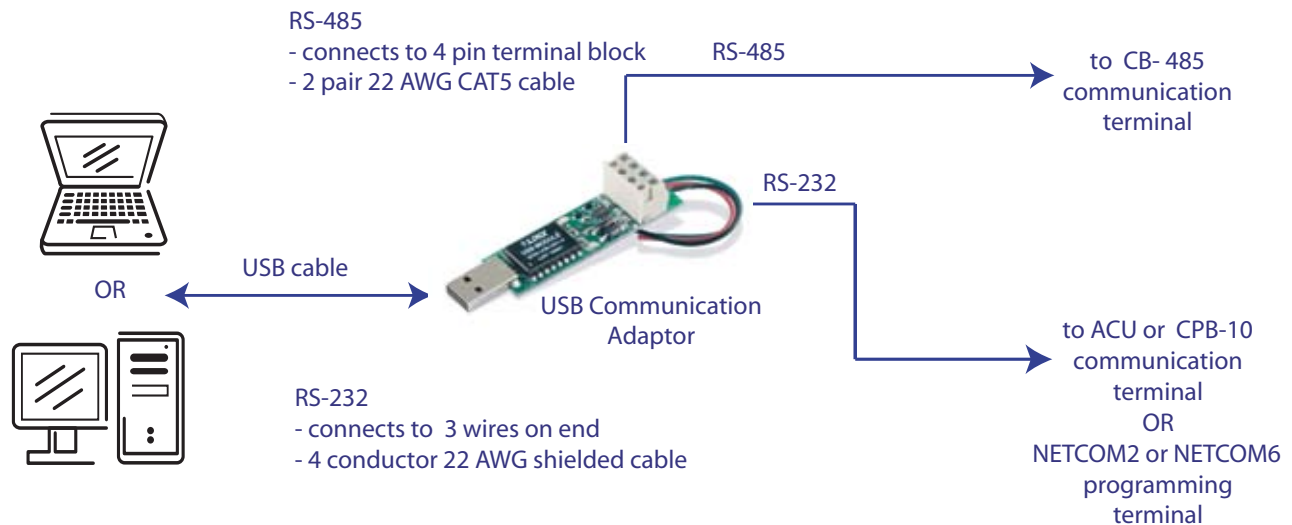
USB-SER

Communication Adaptor

FEATURES AND BENEFITS

- Converts RS-232 to USB communication
- Converts RS-485 to USB communication
- Ideal for single ACU communication
- Convenient for laptop programming/control or where a COM port is unavailable
- Allows for convenient CAT5 wiring on RS-485 communication loop (Requires a CB-485 at each ACU.)
- Appears as a standard COM port

APPLICATIONS



SPECIFICATIONS

Power
Powered by computer's USB port

Dimensions
2 5/8" x 3/4" (7.0 cm x 1.9 cm)

Cables
RS-232
- 4 conductor 22 AWG shielded cable
- Maximum USB Communication Adaptor to ACU/Comms Board distance – 10 ft (3.048 m)

Compatibility
USB 1.1 or 2.0

RS-485
- 2 pair 22 AWG CAT 5 cable
- Maximum USB Communication Adaptor to ACU/Comms Board distance – 25 ft (7.62 m)

KEYSCAN INC.

901 Burns Street East
Whitby, Ontario L1N 6A6
Phone: 905.430.7226 Toll Free: 1.888.539.7226 Fax: 905.430.7275
www.keyscan.ca

Want more information? Contact your local representative at: