



WIEEX
TRANSMITTER



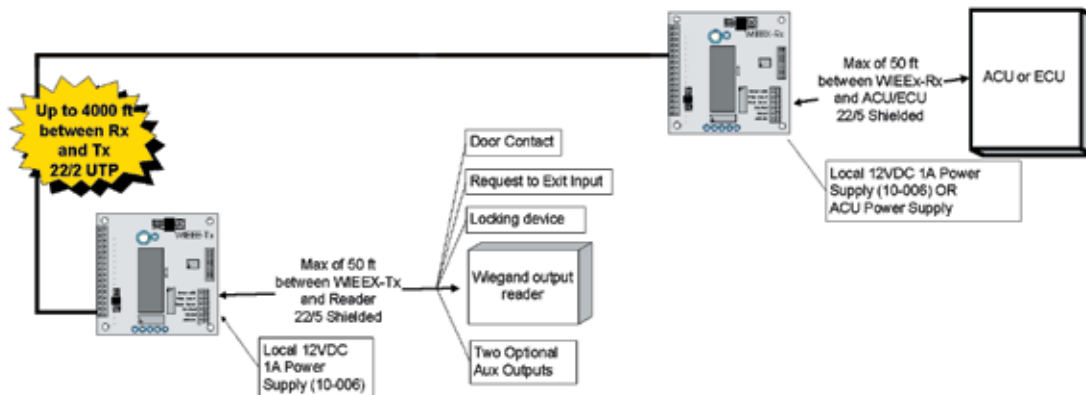
WIEEX
RECEIVER

- For use in hard to reach locations greater than 500' from the access control unit.
- Designed by Keyscan for compatibility with any Access Control Unit and Readers supporting Wiegand data format.
- Built-in door status monitoring, unlock relay and request to exit input reduces cable and installation costs.
- Wiegand Tx Extender provides inputs for Door status monitoring and Request To Exit (RTE) and an output to control unlock relay.
- Wiegand Rx Extender provides outputs for Door status monitoring and Request To Exit (RTE) and an input from the unlock relay for connection to any compatible ACU.
- Extends standard 500 foot Wiegand cable distance up to 4000 feet using proprietary RS485 communications between Transmitter and Receiver.
- Fast, easy, trouble-free installation.

FEATURES AND BENEFITS

- Extends standard cable distance to 4000 feet for greater installation flexibility.
- Fast easy installation both at the door and the Access Control Unit (ACU).
- Proprietary RS485 communications between the Wiegand Extender Transmitter (WIEEX-Tx) and Wiegand Extender Receiver (WIEEX-Rx). Ensures compatibility with any Wiegand compatible Access Control Unit as well as all Access Control Units and Elevator Control Units from Keyscan.
- Simplifies your installations since the Wiegand Extender fully supports activity at one door without additional wiring expense (Wiegand compatible reader, unlock relay, door contact and request to exit).
- The WIEEX -Rx can be installed inside the ACU and use the battery backed up power supply to simplify installation and further reduce costs.
- On-board communications fail output can be connected to an input on the ACU to generate an alarm if the WIEEX -Tx fails to communicate with the WIEEX-Rx.
- Reduces the installation cost by reducing the number of wire runs, wire count and associated costs.
- Simplifies both installation and maintenance procedures.

APPLICATIONS



SPECIFICATIONS

WIEEX (Rx/Tx) Requirements:

Input power:

12 VDC 1 Amp or direct wired from ACU 12 VDC 1 Amp power supply.

Cable Maximums:

ACU/ECU to WIEEX -Rx – 50 ft (22 AWG 3 pair) WIEEX -Rx to

WIEEX -TX – 4000 ft. (2 wire 22 AWG UTP-Unshielded Twisted Pair)

CERTIFICATION:

FCC Part 15, subsection J for a class B device, FCC Part 68, DOC, UL, CSA, CE.

Dimensions:

4" x 4.25" (101mm x 108mm)

Environmental Tolerances:

Suitable for light to moderate residential, commercial and industrial applications.

Relative Humidity: 0 to 100% non-condensing

Temperature: -35° to 65° C

KEYSCAN INC.

901 Burns Street East

Whitby, Ontario Canada L1N 6A6

Tel: 905.430.7226 Toll Free: 1.888.539.7226 Fax: 905.430.7275

Web: www.keysan.ca

Want more information? Contact your local representative at: