

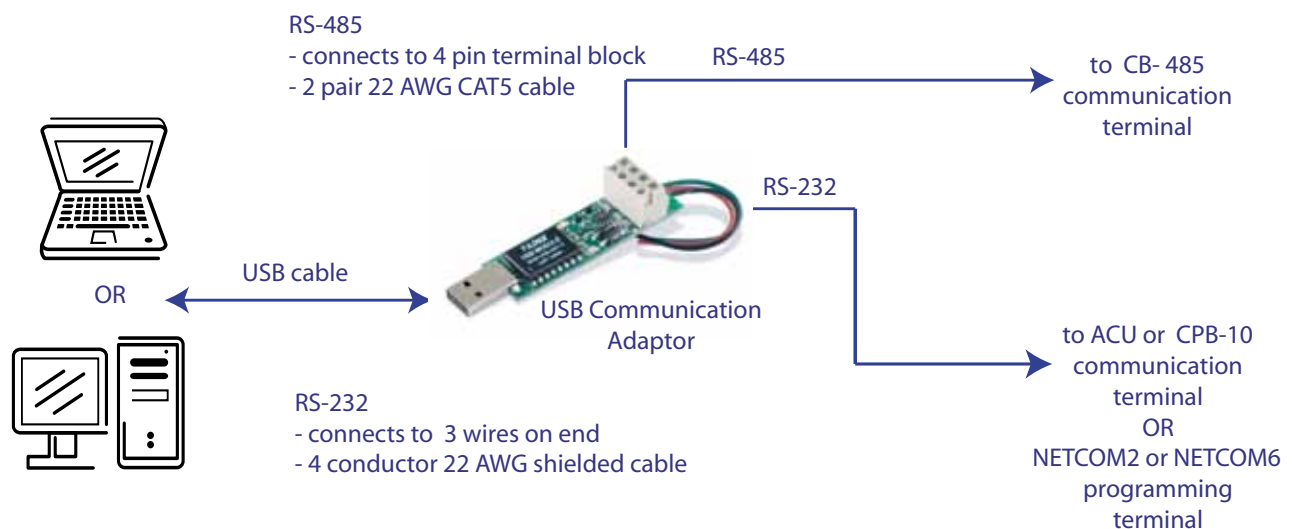
Features

- Converts RS-232 to USB communication
- Converts RS-485 to USB communication
- Powered through computer's USB port
- USB 1.1 or 2.0 compatible
- Includes 6' (1.8m) USB extension cable for added convenience
- Drivers supplied for Windows 2000/XP Pro
- Has clear plastic sleeve for electrical isolation and viewing of board mounted TX & RX LEDs
- Ideal for single ACU communication
- Convenient for laptop programming/control or where a COM port is unavailable
- Allows for convenient CAT5 wiring on RS-485 communication loop (Requires a CB-485 at each ACU.)

FEATURES AND BENEFITS

- Converts RS-232 to USB communication
- Converts RS-485 to USB communication
- Ideal for single ACU communication
- Convenient for laptop programming/control or where a COM port is unavailable
- Allows for convenient CAT5 wiring on RS-485 communication loop (Requires a CB-485 at each ACU.)
- Appears as a standard COM port

APPLICATIONS



SPECIFICATIONS

Power

Powered by computer's USB port

Cables

RS-232

- 4 conductor 22 AWG shielded cable
- Maximum USB Communication Adaptor to ACU/Comms Board distance – 10 ft (3.048 m)

RS-485

- 2 pair 22 AWG CAT 5 cable
- Maximum USB Communication Adaptor to ACU/Comms Board distance – 25 ft (7.62 m)

Dimensions

2 5/8" x 3/4" (7.0 cm x 1.9 cm)

Compatibility

USB 1.1 or 2.0

KEYSCAN INC.

901 Burns Street East, Whitby, Ontario L1N 6A6

Phone: 905.430.7226 Toll Free: 1.888.539.7226 Fax: 905.430.7275

www.keyscan.ca

Keyscan Inc. reserves the right to alter designs and specifications without notice or obligation

Rev.: 03-2011