



CWIEEX
TRANSMITTER



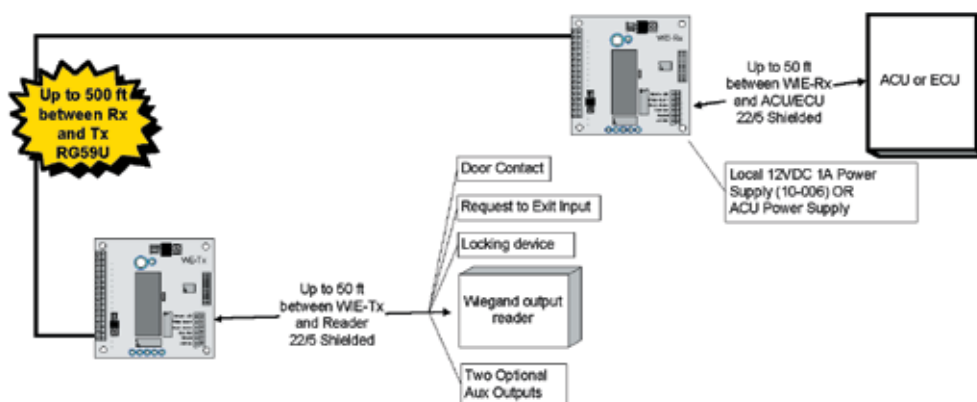
CWIEEX
RECEIVER

- For use when replacing COAX wired systems with Keyscan systems.
- Allows use of all existing COAX wireup, no need to re-wire.
- Designed by Keyscan for compatibility with any Access Control Unit and Readers supporting Wiegand data format.
- Built-in door status monitoring, unlock relay and request to input reduces cable and installation costs.
- COAXWiegand Tx Extender provides inputs for Door status monitoring and Request To Exit (RTE) and an output to control unlock relay.
- COAXWiegand Rx Extender provides outputs for Door status monitoring and Request To Exit (RTE) and an input from the unlock relay.
- Permits use of existing COAX cable up to 500 ft. (152m) using proprietary communications between Transmitter and Receiver.
- Fast, easy, trouble-free installation.

FEATURES AND BENEFITS

- Permits use of existing COAX cable up to 500 ft. (152m) for greater installation flexibility.
- Fast easy installation both at the door and the Access Control Unit (ACU).
- Proprietary communications between the COAX/Wiegand Extender Transmitter (CWIEE-Tx) and COAX/Wiegand Extender Receiver (CWIEE -Rx). Ensures compatibility with any Wiegand compatible Access Control Units, Readers as well as all Access Control Units, Readers and Elevator Control units from Keyscan.
- Simplifies your installations since the Wiegand Extender fully supports activity at one door without additional wiring expense (Wiegand compatible reader, unlock relay, door contact and Request to Exit).
- The CWIEE -Rx can be installed inside the ACU and use the battery backed up power supply to simplify installation and further reduce costs.
- On-board communications fail output can be connected to an input on the ACU to generate an alarm if the CWIEE -Tx fails to communicate with the CWIEE -Rx.
- Simplifies both installation and maintenance procedures.

APPLICATIONS



SPECIFICATIONS

COAXEX (Tx/Rx) Requirements:

Input power: 12 VDC 1 Amp or direct wired from
ACU 12 VDC 1 Amp power supply

Cable Maximums:

ACU/ECU to CWIEE -Rx – max 10 ft. (3.05m) (22 AWG 3 pair)
CWIEE -Rx to CWIEE -TX – 500 ft. (152m) (RG59U)

Certifications:

FCC Part 15, subsection J for a class B device, FCC Part 68, DOC, UL, CSA, CE.

Dimensions:

4" x 4.25" (101mm x 108mm)

Environmental Tolerances:

Suitable for light to moderate residential, commercial and industrial applications.
Relative Humidity: 0 to 100% non-condensing
Temperature: - 35° to 65° C